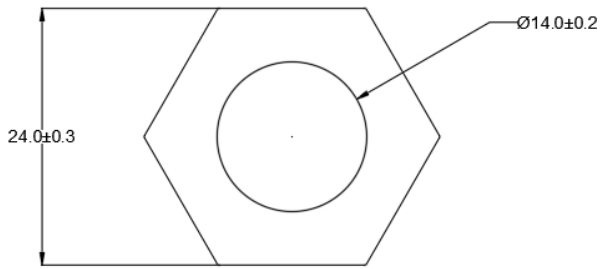


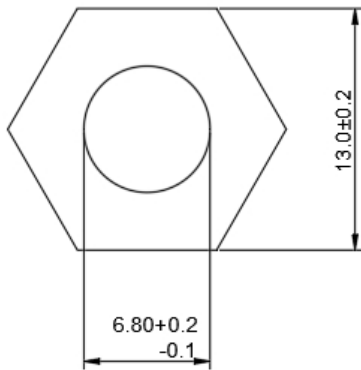
**GEOMETRICAL SHAPES**

**DIE No: 70601**



**Wt. Range : 0.886-0.977 KG/MTR**

**DIE No: 70603**



**Wt. Range : 0.297- KG/MTR**

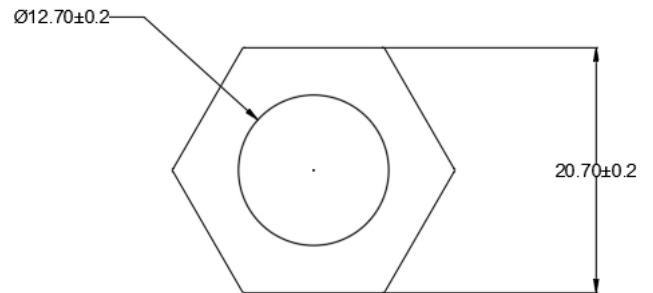
**DIE No: 70605**



**Wt. Range : 0.481-0.528 KG/MTR**

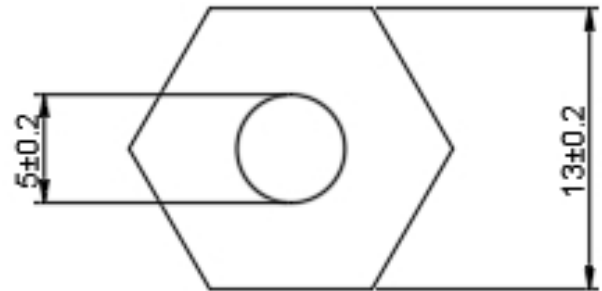
**HEXAGONAL TUBES**

**DIE No: 70602**



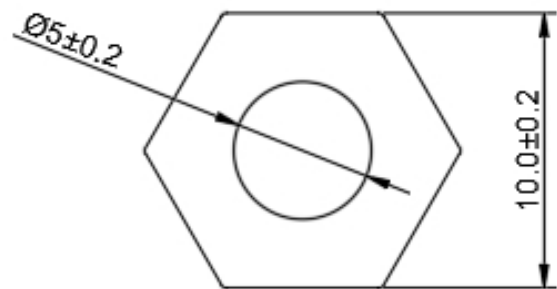
**Wt. Range : 0.629-0.690 KG/MTR**

**DIE No: 70604**



**Wt. Range : 0.330-0.360 KG/MTR**

**DIE No: 70606**



**Wt. Range : 0.167-0.195 KG/MTR**